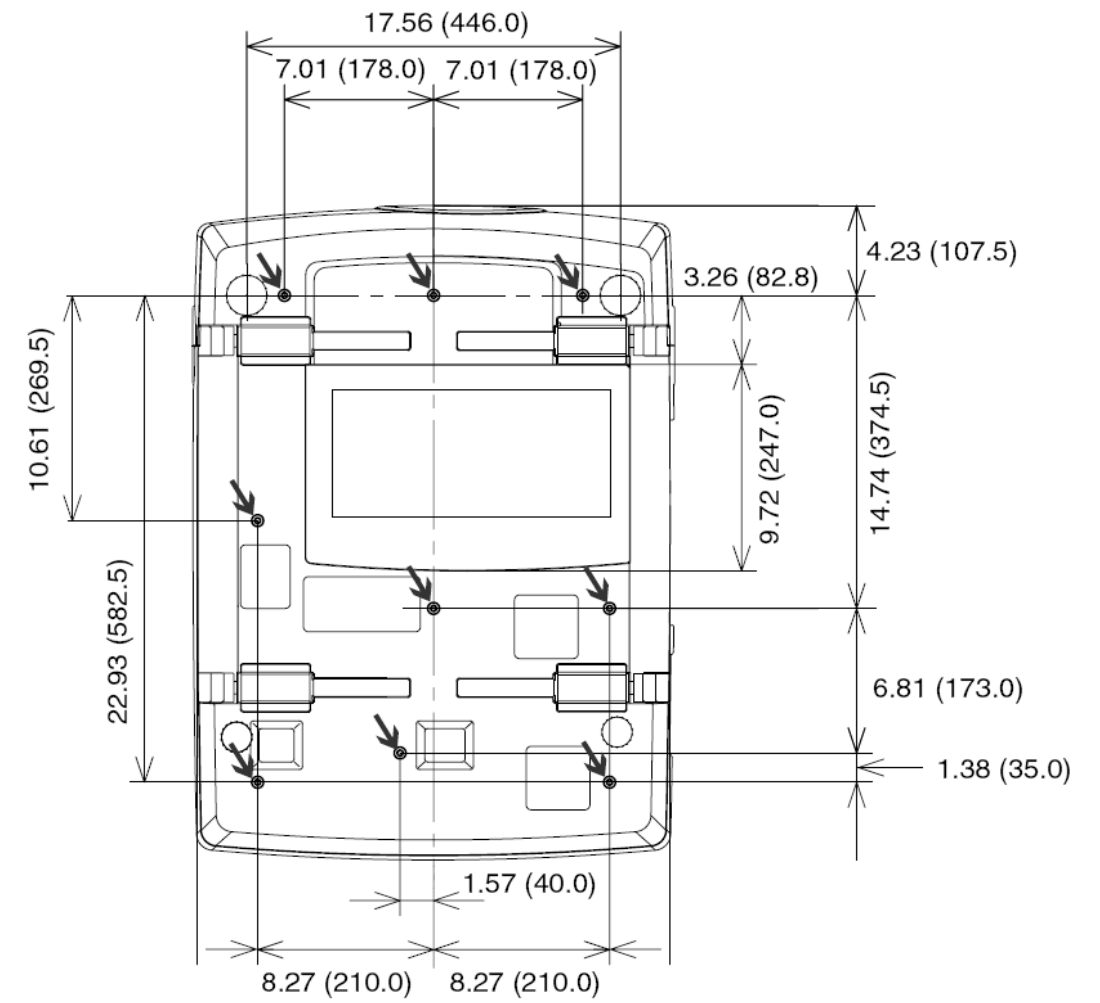
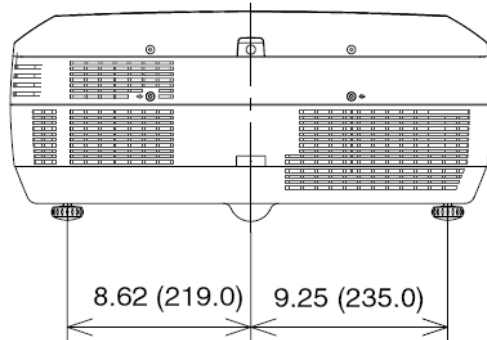
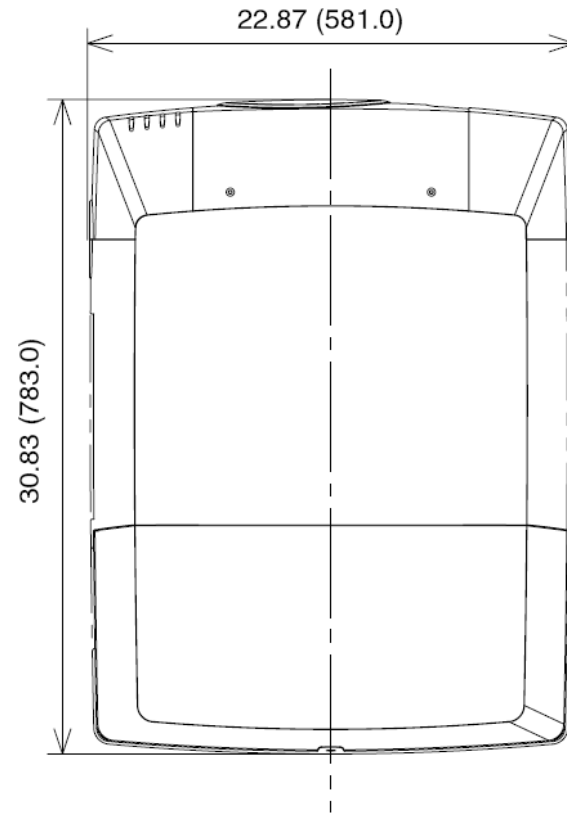
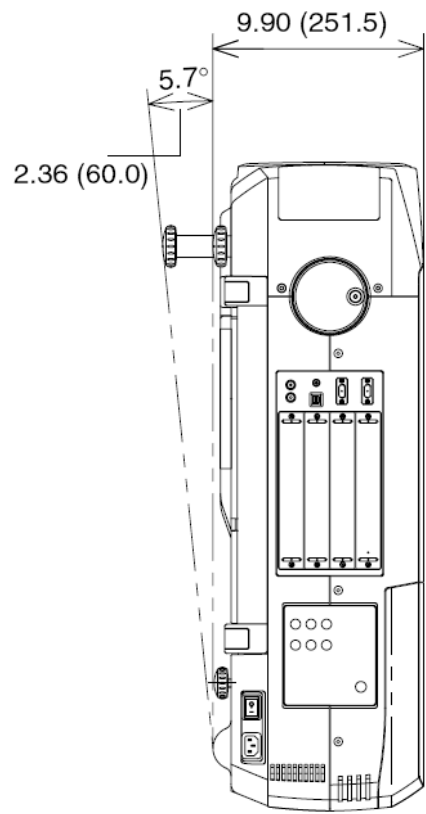
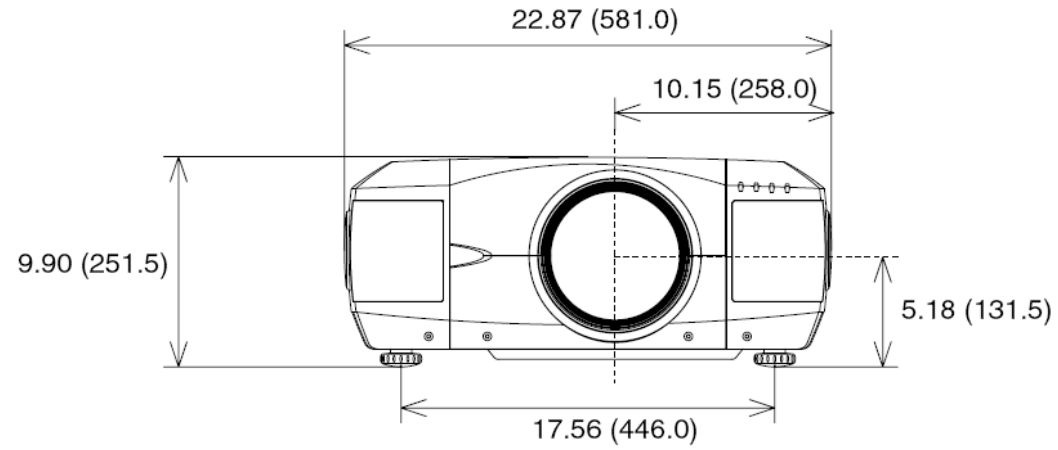


PLV-HD2000E Dimensions

Unit: inch(mm)



↘ Screw Holes for Ceiling Mount
Screws: 9-M8
Depth: 0.315 (8.0)